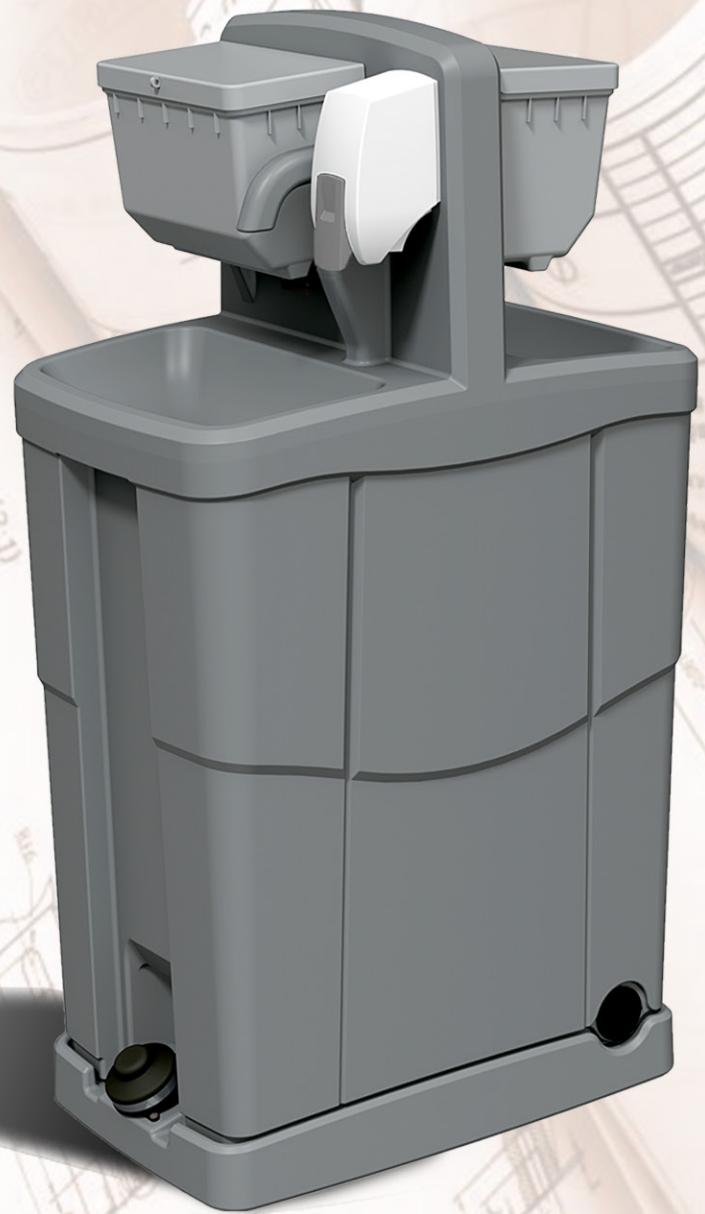
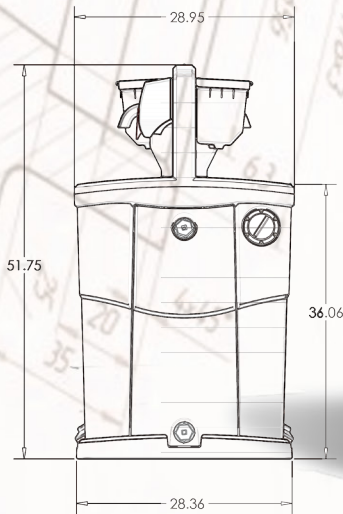


TAG²

Re-Designed Body & Enhanced Functionality

Features Include:

- 24-gallon fresh water capacity
- 24-gallon gray water capacity
- Foot pump operation
- Designed to accommodate complete forearm washing
- Dual, molded-in spigots make for a vandal discouraging design
- Large cutouts make the powerful foot pumps easily accessible, even for users in heavy work boots
- Fresh water compartment is easily removed for regular sanitizing
- Two spray soap dispensers
- Two lockable paper towel dispensers



Specifications: US STANDARD METRIC

- | | | |
|----------|--------|----------|
| • Length | 28.95" | 0.71 m |
| • Width | 17" | 0.43 m |
| • Height | 51.75" | 1.24 m |
| • Weight | 70 lbs | 31.75 kg |

Portable Restrooms | Hand Wash Stations | Deodorizers | Cleaners

PolyPortables, LLC.
(800) 241-7951 or (706) 864-3776
www.polyportables.com